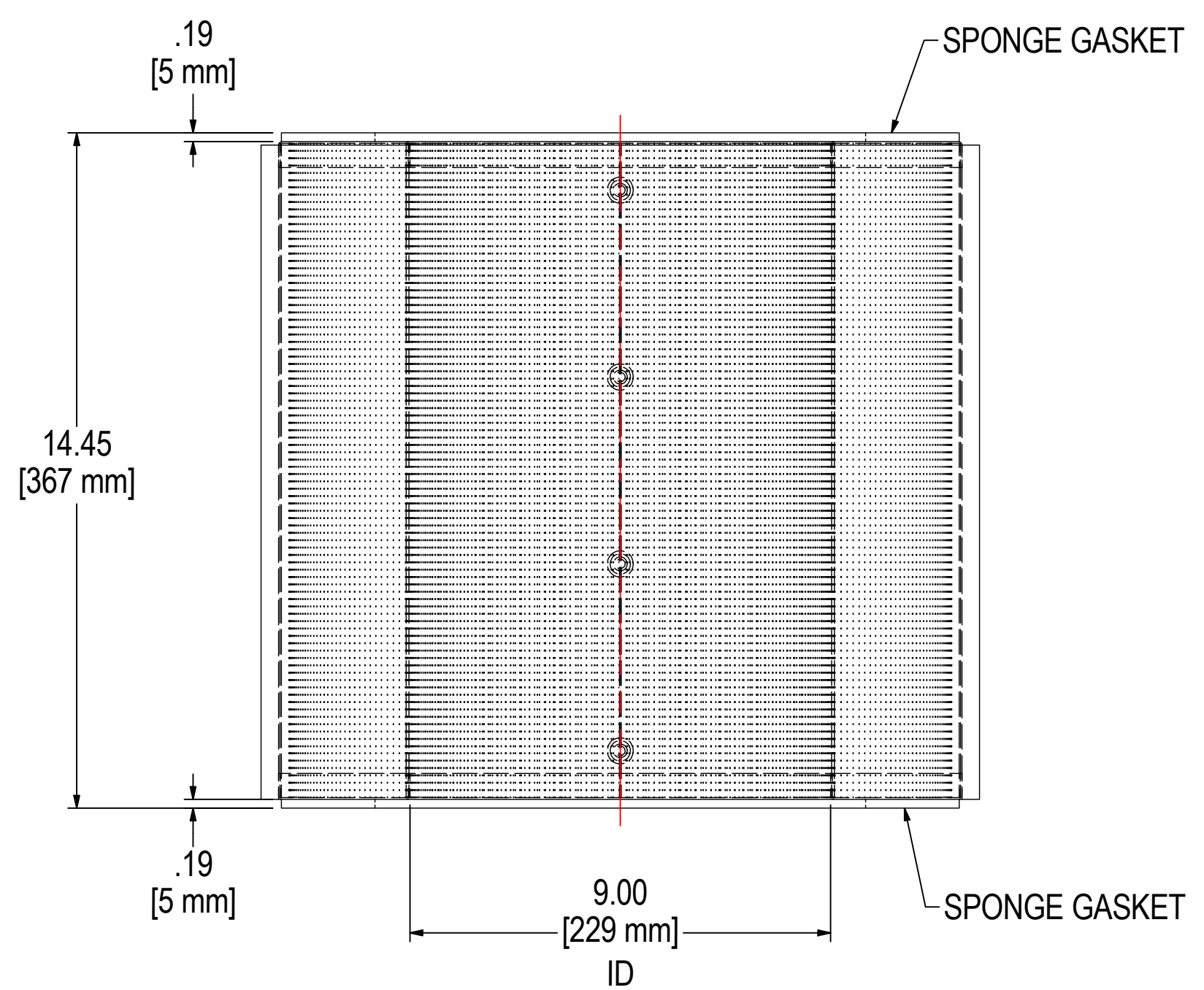
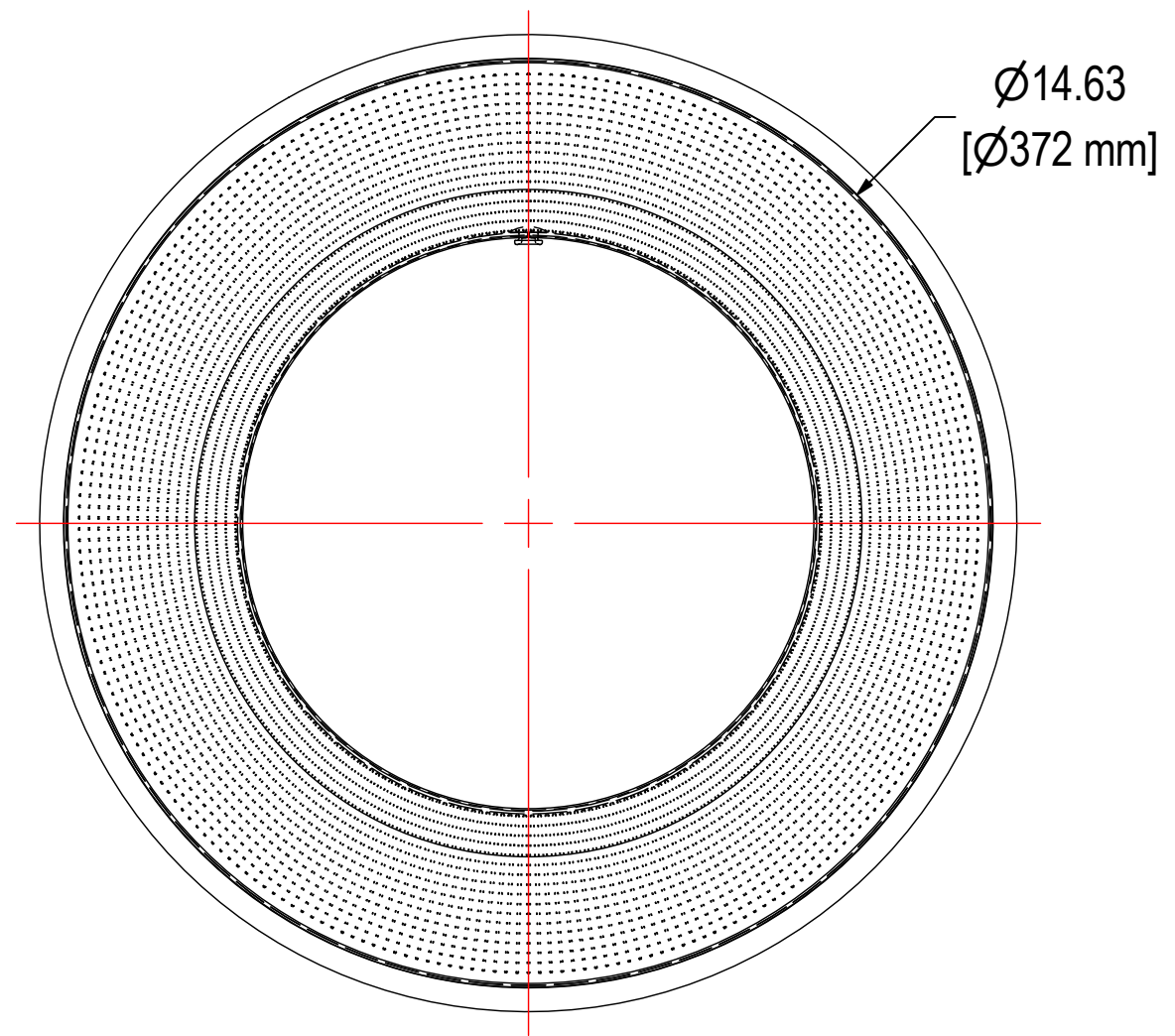


REV	DESCRIPTION	ECN #	CHG BY	DATE	APP'D
A	UPDATED TO 3-D .IDW	-	RWK	09/09/19	NAD



ELEMENT SPECS		
PART NUMBER	376P	
MATERIAL	PAPER	
FLOW RATE	1825 CFM	3100 m <sup>3</sup> /hr
SURFACE AREA	118.3 ft <sup>2</sup>	11.0 m <sup>2</sup>
I.D.	9.00"	229mm
O.D.	14.63"	372mm
HEIGHT	14.45"	367mm

THE INFORMATION CONTAINED HEREIN IS CONFIDENTIAL AND THE PROPERTY OF SOLBERG MANUFACTURING INC. AND IT IS FURNISHED TO YOU WITH THE EXPRESS UNDERSTANDING THAT IT WILL NOT BE REPRODUCED, COPIED IN ANY MANNER, LOANED OR OTHERWISE TRANSFERRED TO OTHERS ENTIRELY OR IN PART, NOR USED FOR ANY PURPOSE OTHER THAN FOR WHICH IT WAS FURNISHED. IT WILL BE RETURNED UPON REQUEST TO SOLBERG MANUFACTURING INC. THE ABOVE RESTRICTION IS IN ADDITION TO, AND DOES NOT IN ANY WAY ALTER, ANY OTHER RESTRICTIONS WHICH MAY APPLY TO THE INFORMATION CONTAINED HEREIN.

**TOLERANCES**  
 DIMENSIONS ARE FOR REFERENCE ONLY.  
 ALL DIMENSIONS ARE SUBJECT TO CHANGE UPON PRODUCTION.

**UNLESS OTHERWISE SPECIFIED:**  
 -DIMENSIONS ARE IN INCHES  
 -REF: APPROXIMATE DIMENSIONS, NO TOLERANCES APPLY  
 -FINISH: BREAK EDGES TO .005-.020 RADIUS/CHAMFER

MODEL NUMBER: 376P	SHEET: 1 OF 1	
DESCRIPTION: 376P, PAPER		
PROJECT: SD21269	DRAWN BY: CRW DATE: 2/26/2015	APPROVED BY: MC DATE: 2/26/2015
		REV: A